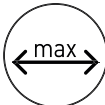


Hydra Technical Information



1200 cm



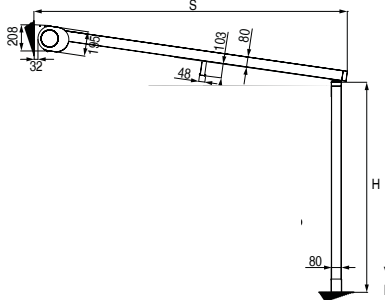
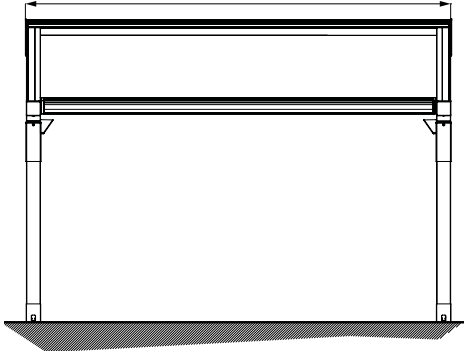
500 cm



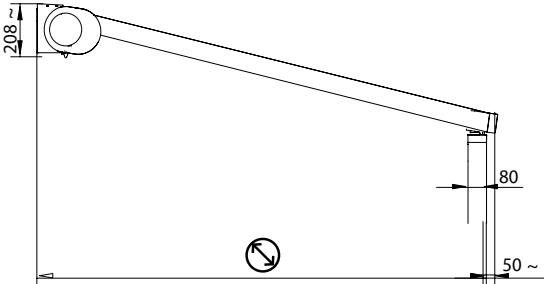
1 Module (mm)



L.maxmm 6000mm



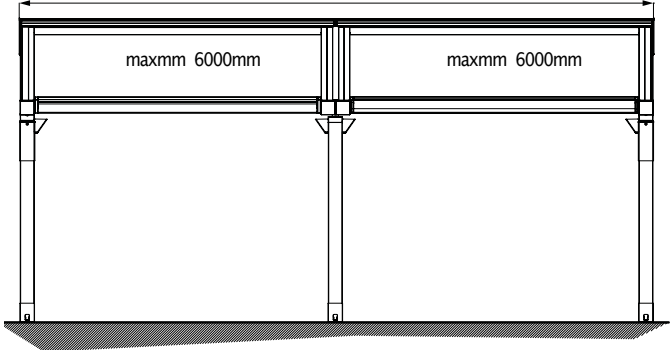
General technical plan (mm)



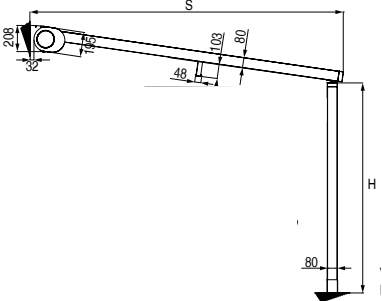
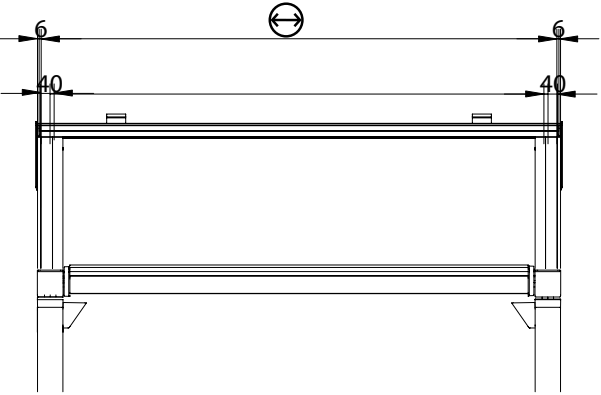
2 Modules (mm)



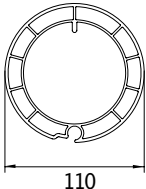
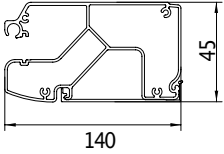
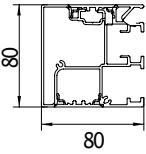
L.maxmm 12000mm



Guides inter axis width (mm)



Profiles dimensions (mm)



Guide

Terminal bar

Blind Roller